

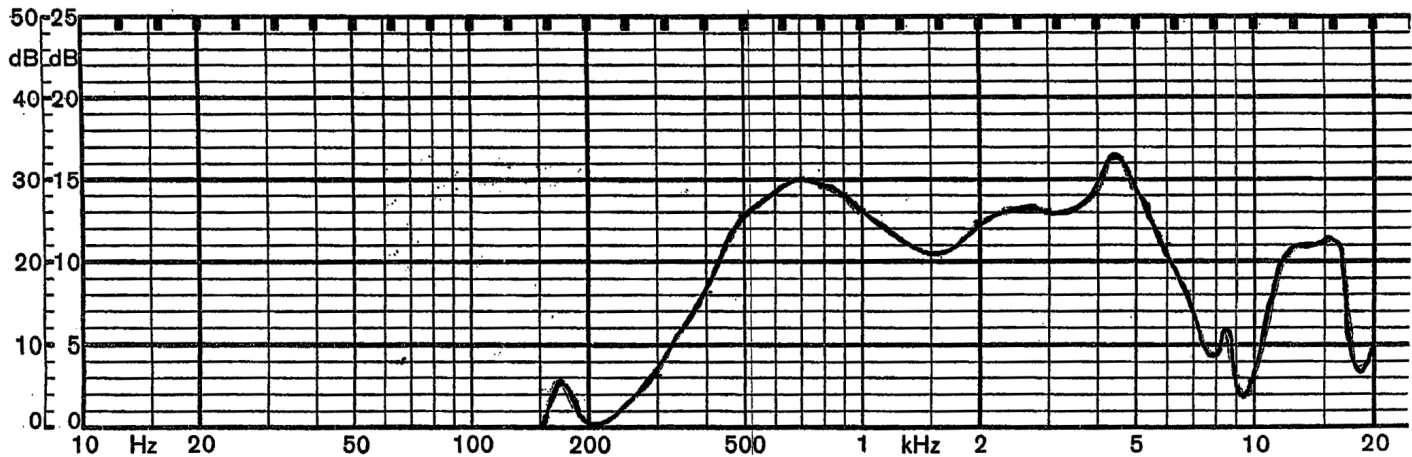


**Specifications**

Nominal Size	23 mm		
Impedance	32 Ohm $\pm$ 15%	at	1 KHz 1 V
Resonant frequency	680 Hz $\pm$ 136 Hz	at	1 V
Sound pressure level	84 dB/w $\pm$ 3 dB	0.2 w 50 cm ave. at 1K, 1.2K, 1.5K, 2K Hz	
Response	Fo Hz ~ 7 KHz max 10 dB		
Input power	Nominal 0.2 W	Handling capacity	0.4 W
Operation	must be normal at program source 0.2 W		
Buzz, rattle, etc.	must be normal at sine wave 2.53 V		
Magnet	Size: 8 x 1 mm		
Load test	White noise	0.2 W for	24 hours
Heat test	60 $\pm$ 2° C	20-50% R.H.	24 hours
Humidity test	40 $\pm$ 2° C	90-95% R.H.	24 hours

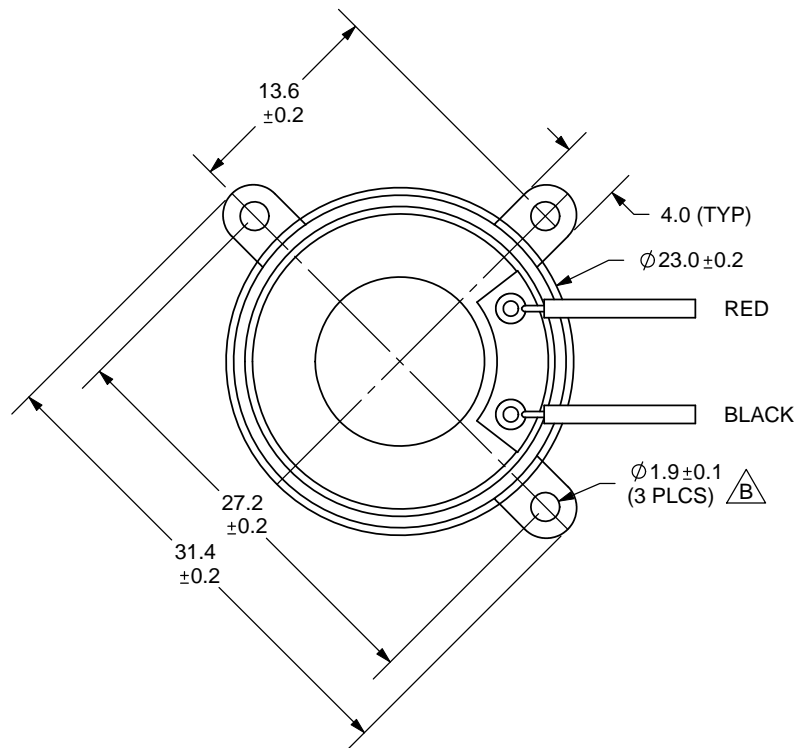
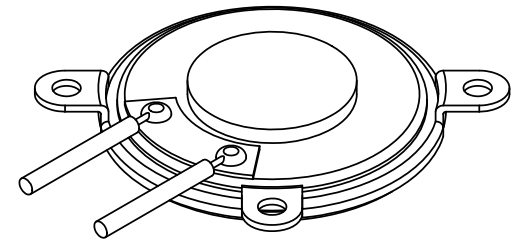
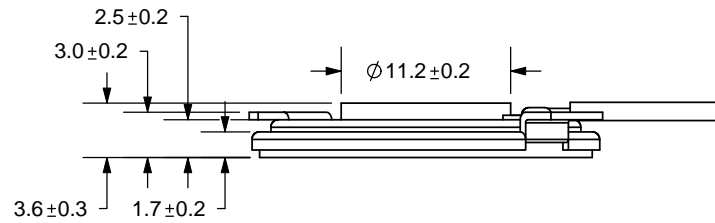
**Frequency Response Curve**

Potentiometer range	50 dB
Rectifier	RMS
Lower limit frequency	20 Hz
Wr. speed	100 mm/sec



Zero level 60 dB

REV.	DESCRIPTION	DATE
A	NEW DRAWING	7/3/2007
B	added mounting hole dimension	1/31/2008



SPECIFICATIONS:  
 WIRE: UL1007, #28AWG  
 LENGTH: 152mm

TOLERANCE:  
 ±0.5mm UNLESS OTHERWISE  
 SPECIFIED



20050 SW 112th Ave.  
 Tualatin, OR 97062  
 Phone: 503-612-2300  
 800-275-4899  
 Fax: 503-612-2383  
 Website: www.cui.com

TITLE: LOW PROFILE SPEAKER		REV: B
PART NO. CLS0231MA3E-L152	UNITS: MM [INCHES]	
DRAWN BY: ZRJ	APPROVED BY:	SCALE: 2:1

PC FILE NAME:  
 CLS0231MA3E-L152

COPYRIGHT 2008 BY CUI INC.